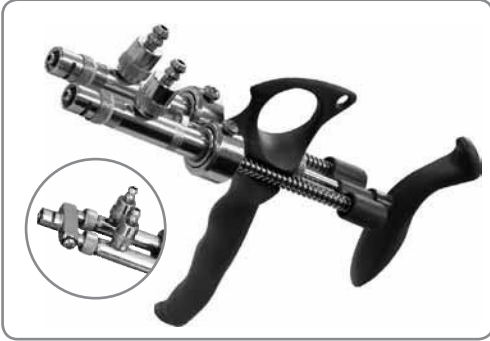


Automatic Veterinary Syringes

ThaMa 252 Automatic Double Syringe

2 different dosages of various vaccines at once with different pistons 0.5cc, 1.0cc, 2.0cc



Instructions:

The ThaMa 252 is double syringe precise, reliable and accurate vaccinator.

ThaMa 252 is for vaccinate two different dosages of various vaccines at once and operate between the five pistons for each syringe!

Before Use:

1. It's recommended to sterilize the syringe before each use.
2. Check that all screwed parts are tightened.
3. Make sure that the valve springs and washers are properly positioned into the base.

How to set the dose:

1. Unscrew the banding screw (#26) and pull out the syringe.
2. Unscrew the body cover (#13) and pull out from the body (#01).
3. Insert the key-pin (#20) into the hole on the piston.
4. Hold the top nut with tool and unscrew it out.
5. Take the spring (#15) and the body cover (#13) and put them on the new piston (#11) with the measure you need.
6. Replace the cover body, spring and the screw nut M4 (#32) in order.
7. Tight the screw nut (#32): insert the key-pin into the hole on the piston and tight gently with tool.
8. Put the syringe back in its housing (#25) (make sure that the top nut is in its hole at the piston shove) and screw the banding screw (#26) tightly.

Make sure that you set the dosage in both syringe.

**One of the syringes is marked!
That make easier to remember in which
syringe you have one of different
dosages during the working day.**

How to set the bridge 2 to 1 needle (#27):

1. Unscrew the needle adapter (#02) from both syringes (take care of the springs and the valves).
2. Insert the springs (#05) in the 2 to 1 bridge and the valve in right position (valve in the body and spring in the bridge).
3. Close the 2 "bridge covers" upon the syringes and tight them gently.

Care and Maintenance after Use:

1. Dismount the needles from the syringes.
2. Take out the syringes from the syringe housing (unscrew #26).
3. Open the body cover and wash it, open the luer lock needle adapter and the tubing valve housing – wash them in clear water.
4. Before using again, verify that all the parts are in their place and put a drop of castor oil (supplied) on the O-ring.

Do not open the upper handle for cleaning!

Sterilization:

All parts of the syringe can be sterilized. It is recommended to sterilize after every use. Up to 125°C in autoclave

ThaMa 252

2 different dosages of various vaccines at once with different pistons 0.5cc, 1.0cc, 2.0cc

- 252-01 - Syringe body
- 252-02 - Luer lock,needle adapter
- 252-03 - Tubing valve housing
- 252-05 - Valve spring
- 252-06 - Valve stainless ball
- 252-07 - Valve plastic washer
- 252-10 - Piston o-ring
- 252-11 - Piston
- 252-32 - Screw nut M4
- 252-13 - Body cover
- 252-15 - Handle spring
- 252-16 - Finger grip - handle
- 252-17 - Upper handle
- 252-21 - Piston shove
- 252-22 - Shove shaft
- 252-23 - Spacer
- 252-20 - Key-pin
- 252-25 - Syringe housing
- 252-26 - Banding screw
- 252-27 - Bridge 2 to 1 needle
- 252-28 - o-ring gasket for 27
- 252-71 - Valve fiber washer
- 252-99 - Spare parts-kit
(include: 252-05*2, 252-06*2, 252-07*2,
252-10*4, 252-12*1, 252-26*1, 252-71*1,
252-28*1)

