

Automatic Veterinary Syringes

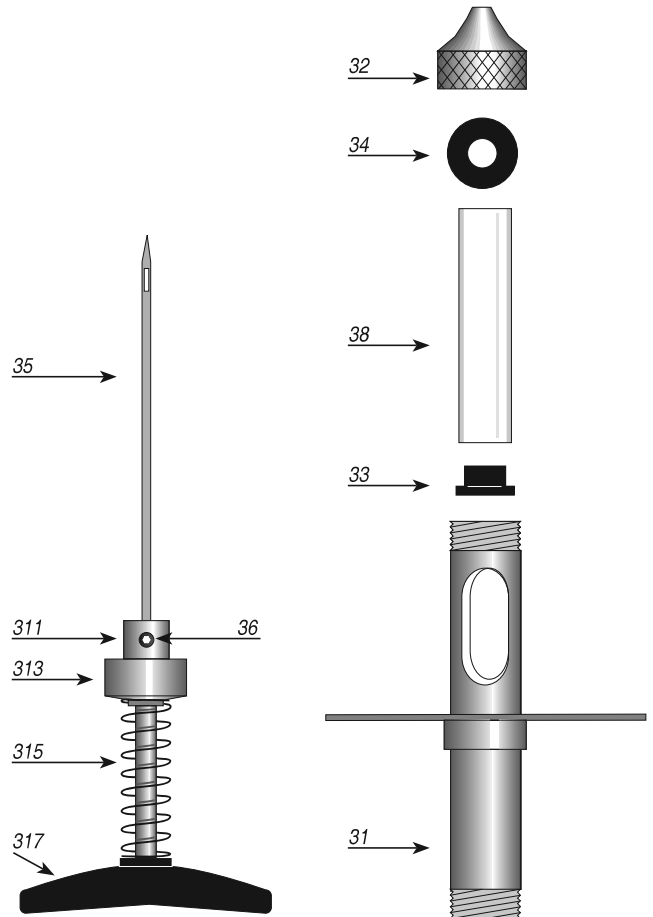
ThaMa Fowl Pox Vaccinator

The Automatic Fowl Pox Vaccinator is made of the best materials. All parts are oil-proof and non-corrosive.



Operating Instructions:

1. Open the end front cap (No. 32) of the Vaccinator.
2. Fill the vaccine direct to the glass barrel.
3. Close the end front cap (No. 32) tight to the glass barrel.
4. Every squeezing on the upper handle, bring a drop direct to the chicken wing.
5. After use; open the end front cap dismantle the glass barrel and flush the complete vaccinator with clear water.
6. Sterilize; you may sterilize the vaccinator parts up to 125°C before the next use.



- 31 - Syringe body
- 32 - End front cap
- 33 - Rubber stopper
- 34 - Neoprene washer
- 35 - Needle
- 36 - Needle screw
- 38 - Glass barrel
- 311 - Needle shaft

- 313 - Body cover
- 315 - Handle spring
- 317 - Upper handle
- 399 - Spare parts kit (33, 34)

When ordering:

Please add the vaccinator volume 1cc or 2cc