

Automatic Veterinary Syringes

2 Needles Fowl Pox Vaccinator



To fill the vaccine:

1. Open the end front cap of the vaccinator – with the face up.
2. Fill the 4cc of the vaccine direct to the glass barrel.
3. Close the end front cap – make sure that:
 - the neoprene washer is in place.
 - the 2 needles are in place.
4. Tight the end front cap gently make sure that the needles slide smoothly - if not, release back a little the nozzle.

The Vaccinator is ready to use.

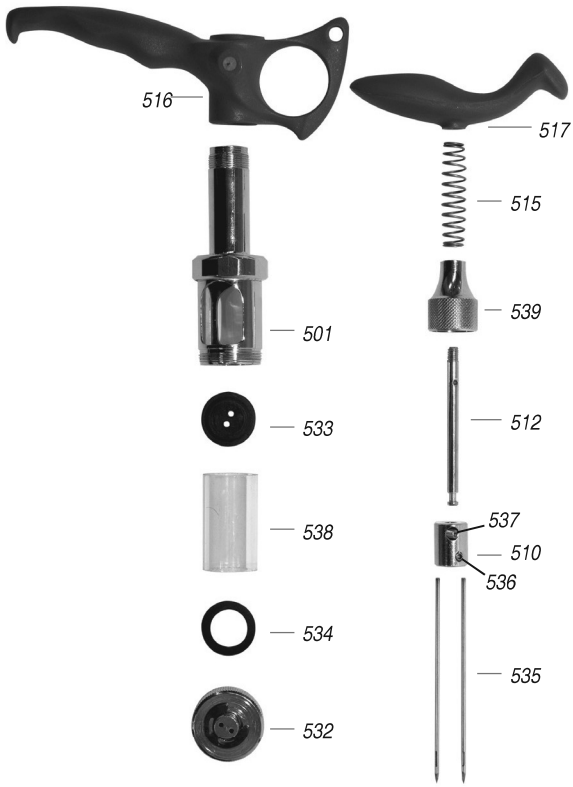
Cleaning and maintenance:

1. Open the end front cap and make sure that the neoprene washer is in place - wash it in clean water.
2. Take out the glass barrel and the special rubber stopper - wash them in water.

Make sure that the eyes of the needles are free!

You may sterilize the Vaccinator before the next use.

The Automatic Fowl Pox Vaccinator with 2 Needles is made of the best materials, is oilproof, non-corrosive and can be sterilized up to 125°C.



- | | |
|----------------------|-------------------------------|
| 501 - Syringe body | 534 - Neoprene washer |
| 510 - Needles shaft | 535 - Needles |
| 512 - Shaft | 536 - Needles screw |
| 515 - Spring | 537 - Shaft screw |
| 516 - Finger grip | 538 - Glass barrel |
| 517 - Upper handle | 539 - Body cover |
| 532 - End front cap | 599 - Spare parts kit |
| 533 - Rubber stopper | (Include: 533, 534 & key pin) |