

Automatic Veterinary Syringes

ThaMa 223- Fix Dosage

(with 5 different pistons) 0.1cc, 0.2cc, 0.25cc,
0.3cc, 0.5cc Using vial holder



Operating Instructions:

This Automatic Syringe ThaMa 223- is a precision, reliable and accurate All-Metal-Fixed-Dosage instrument, designed for mass treatment of poultry. All the components are made of the finest material, oil proof, non-corrosive; the valve is made of stainless steel ball. The piston slides smoothly along the metal cylinder. It is supplied with 5 pistons of various sizes: 0.1cc, 0.2cc, 0.25cc, 0.3cc, 0.5cc.

All parts can be sterilized up to 125°C.

Before Use:

1. It's recommended to sterilize the syringe before each use.
2. Check that all screwed parts are tightened.
3. Make sure that the valve springs and washers are properly positioned into the base.

To set the dose:

1. In the box find the key-pin (20).
2. Open the body-cover (13) by gripping it with your fingers and turn.
3. Press the piston - forward to its utmost position, and insert the key-pin into the hole on the piston.
4. Grip the piston and unscrew it, and change to the one you need.
5. Tight the new piston gently with the key-pin.
6. Take out the key-pin from the piston.
7. Put a drop of castor-oil on the piston's O-ring.
8. Close the body-cover and tight it.

Using the Vial holder:

1. Remove the black plastic clip (42).
2. Insert the vial (43) to the vaccine bottle and push it down.
3. Return the plastic clip back – connect the vial holder to the syringe .

Pay attention that the black plastic clip is properly set!

After use:

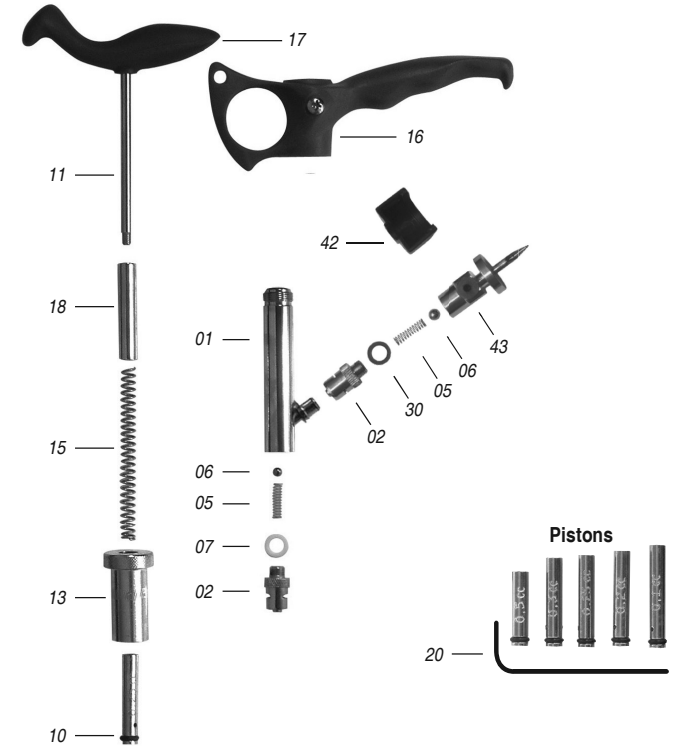
Care and Maintenance:

1. Dismantle the vial from the vial holder.
2. Pump the syringe in clear water, 6-10 times, to remove any residue of the material from the body, needles, tube and valves.
3. Open the body cover (13) and wash all parts in clear water.
4. Open the luer lock needle adapter (02) wash it in clear water.
5. Assemble the parts together.

Note: Pay attention, and take good care not to loose the small parts, like valves, valves springs, and valves plastic washers.

Recommended:

Use the original box for each syringe to keep it useful for long time. The automatic syringe is made of the best materials, is oil-proof, non corrosive. All parts can be sterilized up to 125°C.



223-01 Syringe Body	223-30 fiber washer
223-02 Luer lock needle adapter	223-99 Spare Parts-Kit (include: 223-05*2, 223-06*2, 223-07*1, 223-10*4, 223-71*2)
223-05 Valve Spring	
223-06 Valve stainless ball	
223-07 Valve Plastic Washer	
223-10 Piston O-Ring	223-20 Key-pin
223-11 Piston Shaft	223-21 Piston 0.1cc
223-13 Body Cover	223-22 Piston 0.2cc
223-15 Handle Spring	223-23 Piston 0.3cc
223-16 Finger Grip Handle	223-25 Piston 0.25cc
223-17 Upper Handle	223-24 Piston 0.5cc
223-18 Spring Housing	