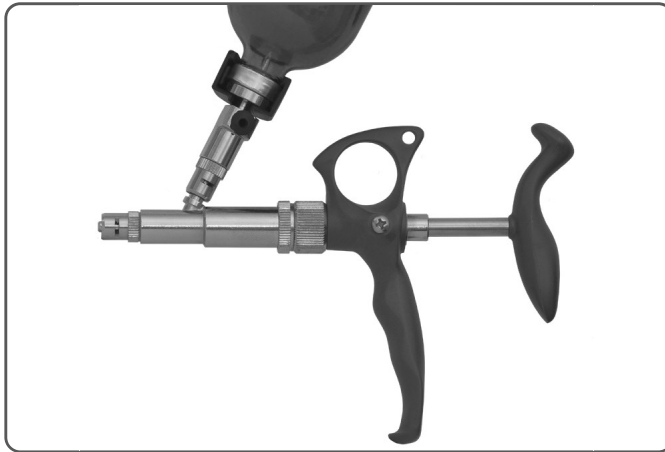


Automatic Veterinary Syringes

0.2cc ThaMa 263

Fix Dosage

with 3 different pistons 0.5cc, 1.0cc, 2.0cc
with vial holder



Operating Instructions:

This Automatic Syringe ThaMa 263 is a precision, reliable and accurate All-Metal-Fixed-Dosage instrument, designed for mass treatment of pigs. All the components are made of the finest material, oil proof, non-corrosive. The piston slides smoothly along the metal cylinder.

It is supplied with 3 pistons of various sizes:
0.5cc, 1.0cc, 2.0cc.

All parts can be sterilized up to 125°C.

Before Use:

1. It's recommended to sterilize the syringe before each use.
2. Check that all screwed parts are tightened.
3. Make sure that the valves, springs and washers are properly positioned into the base.

To set the dose:

1. In the box find the key-pin (20).
2. Open the body-cover (13) by gripping it with your fingers and turn.
3. Press the piston - forward to its utmost position, and insert the key-pin into the hole on the piston.
4. Grip the piston and unscrew it, and change to the one you need.
5. Tight the new piston gently with the key-pin.
6. Take out the key-pin from the piston.
7. Put a drop of castor-oil on the piston's O-ring.
8. Close the body-cover and tight it.

Use the Vial Holder:

1. Remove the black plastic clip (42).
2. Insert the vial (43) to the vaccine bottle and push it down.
3. Return the plastic clip back – connect the vial holder to the syringe .

Pay attention that the black plastic clip is properly set!

After use:

Care and Maintenance:

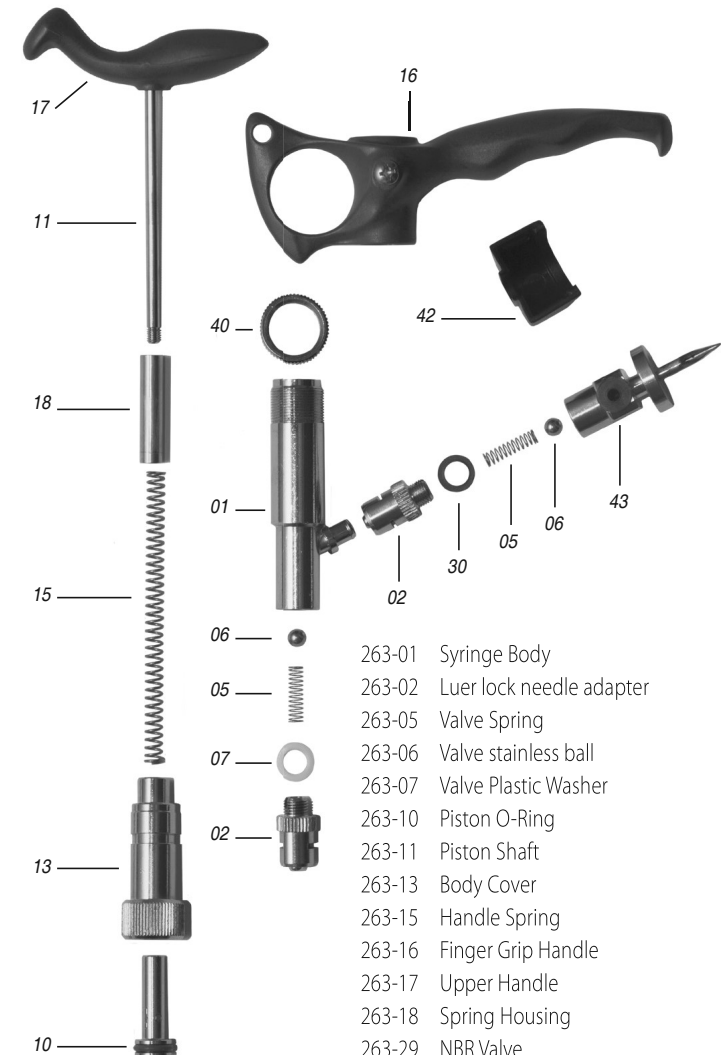
1. Dismantle the vial from the vial holder.
2. Pump the syringe in clear water, 6-10 times, to remove any residue of the material from the body, needles, tube and valves.
3. Open the body cover (13) and wash all parts in clear water.
4. Open the luer lock needle adapter (02) and the tubing valve housing (03) - wash them in clear water.
5. Oil the glass cylinder after cleaning.
6. Assemble the parts together.

Note: Pay attention, and take good care not to loose the small parts, like valves, springs, and valves plastic washers.

Note: It is highly recommended to oil the syringe body after cleaning and before assemble the parts together.

Recommended:

Use the original box for each syringe to keep it useful for long time. The automatic syringe is made of the best materials, is oil-proof, non corrosive. All parts can be sterilized up to 125°C.



263-01	Syringe Body
263-02	Luer lock needle adapter
263-05	Valve Spring
263-06	Valve stainless ball
263-07	Valve Plastic Washer
263-10	Piston O-Ring
263-11	Piston Shaft
263-13	Body Cover
263-15	Handle Spring
263-16	Finger Grip Handle
263-17	Upper Handle
263-18	Spring Housing
263-29	NBR Valve
263-30	Fiber Washer
263-40	Body Screw Nut
263-42	Plastic Clip
263-43	Vial Holder – Body
263-99	Spare Parts-Kit (include: 263-05*2, 263-06*2, 263-07*1, 263-30*1, 263-10*2)