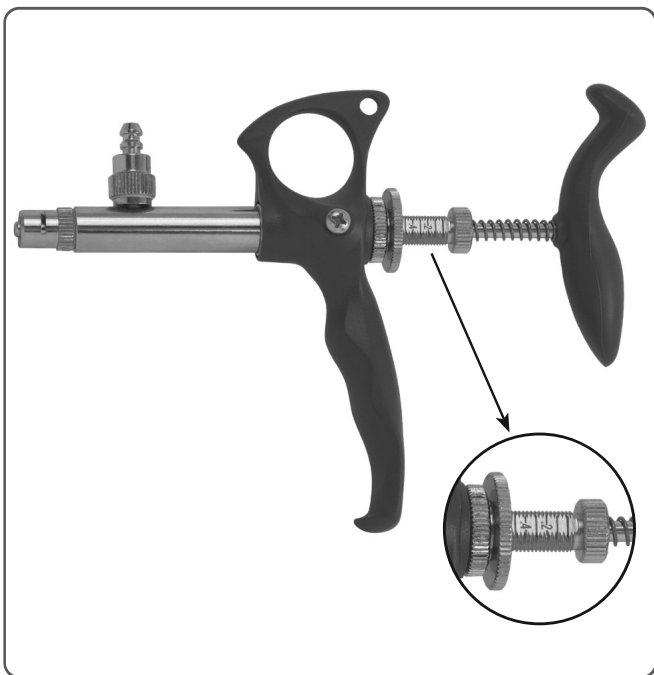


## Automatic Veterinary Syringes

# 1cc ThaMa 320 All Metal Adjustable Syringe



This Unique syringe gives you the possibility to inject the vaccine in small measures with a small syringe All Metal Adjustable.

This Automatic Syringe ThaMa 320 is made of the best materials, oil-proof, non corrosive; all parts can be sterilized up to 125°C.

## 1cc ThaMa 320 All Metal Adjustable Syringe

### Before Use:

1. It's recommended to sterilize the syringe before each use.
2. Check that all screwed parts are tightened.
3. Make sure that the valve springs and washers are properly positioned into the base.

### Set the dose:

1. Unscrew the adjusting screw nut – Just a little.
2. Adjust with the adjusting screw to the volume you need.  
**The volume you need will be on the top of the nut.**
3. Lock with the screw nut.

**Make sure that the volume you need is still on the top of the nut.**

### After Use:

1. After each time that the syringe is being used, pump the syringe in clear water 6-10 times, to remove any residue of the material from the body, needles, and tube (be careful not to be pricked by the needle).
2. Open the Body Cover and wash all the parts in clear water.
3. Open the Luer Lock adapter and the Tubing Valve Housing and wash them in clear water.

**No need to open the upper units.**

### Note:

**Pay attention, and take care not to lose the small parts, like valves, valves spring and valves plastic washers.**

