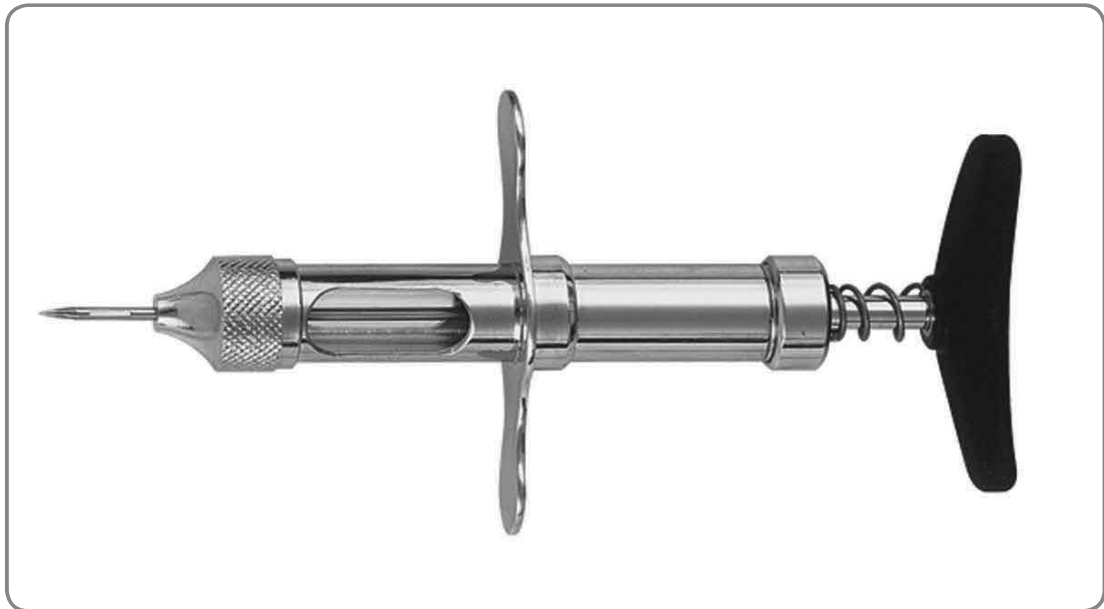


鸡痘自动刺种器

Automatic Fowl Pox Vaccinator

鸡痘自动刺种器由优质材料制成，不沾油、耐腐蚀、所有部件均可消毒处理。

The Automatic Fowl Pox Vaccinator is made of the best materials, is oil-proof, non corrosive and all parts can be sterilized



操作指南：

1. 打开刺种器顶端螺帽（32号）；
2. 直接将疫苗液注入玻璃管中；
3. 扣上顶端螺帽（32号）、并拧紧；
4. 每次推动刺种器顶部手柄，都会在鸡翅下刺种一滴疫苗；
5. 接种完毕后，打开顶端螺帽，卸下玻璃管，用清水彻底清洗刺种器；
6. 消毒：再次使用前，可在100℃下对刺种器高温灭菌消毒。

Operating Instructions:

1. Open the end front cap (No. 32) of the Vaccinator.
2. Fill the vaccine direct to the glass barrel.
3. Close the end front cap (No. 32) tight to the glass barrel.
4. Every squeezing on the upper handle, bring a drop direct to the chicken wing.
5. After use; open the end front cap dismantle the glass barrel and flush the complete vaccinator with clear water.
6. Sterilize; you may sterilize the vaccinator parts up to 100℃ before the next use.

鸡痘刺种器零件清单 POX VACCINATOR PARTS LIST

- | | | |
|-----|-----------|-------------------|
| 31 | -刺种器主体 | - Syringe body |
| 32 | -顶端螺帽 | - End front cap |
| 33 | -橡胶塞 | - Rubber stopper |
| 34 | -橡胶垫圈 | - Neoprene washer |
| 35 | -刺种针 | - Needle |
| 36 | -固定刺种针的螺丝 | - Needle screw |
| 38 | -玻璃管 | - Glass barrel |
| 311 | -刺种针轴 | - Needle shaft |
| 313 | -刺种器套 | - Body cover |
| 315 | -手柄弹簧 | - Handle spring |
| 317 | -顶部手柄 | - Upper handle |

